

PLEASE CHECK WWW.MOLEX.COM FOR LATEST PART INFORMATION

Part Number: [0475968830](#)
Status: **Active**
Description: LGA 1156 Back-plate Assembly, Shoulder Screw and 2 Pan Screws for Desktop PC, Lead-free, Halogen-free

Documents:

[Drawing \(PDF\)](#) [RoHS Certificate of Compliance \(PDF\)](#)
[Product Specification PS-47596-001 \(PDF\)](#)

General

Product Family	Processor Sockets
Series	47596
Component Type	Back Plate Assembly
Product Name	LGA1156

Physical

Circuits (Loaded)	N/A
Durability (mating cycles max)	20
Material - Metal	Steel
Material - Plating Mating	Nickel
Packaging Type	Tray
Pitch - Mating Interface (in)	0.000 In
Pitch - Mating Interface (mm)	0.00 mm
Temperature Range - Operating	-25°C to +100°C
Termination Interface: Style	Screw or Lug

Electrical

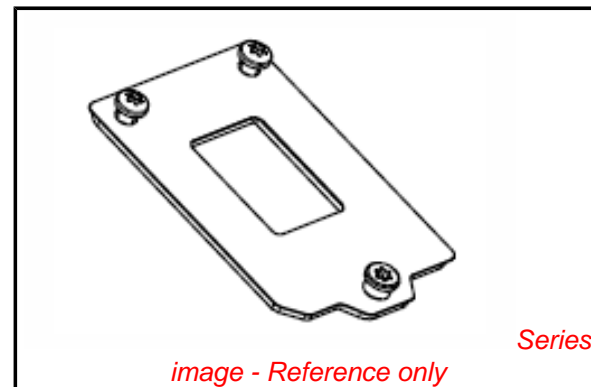
Current - Maximum per Contact	N/A
Voltage - Maximum	N/A

Material Info

Reference - Drawing Numbers

Packaging Specification	PK-47596-107
Product Specification	PS-47596-001
Sales Drawing	SD-47596-107

Intel and Nehalem and relevant names are either trademarks or registered trademarks of Intel Corporation



EU RoHS

ELV and RoHS Compliant
REACH SVHC
 Not Reviewed
Halogen-Free Status

China RoHS



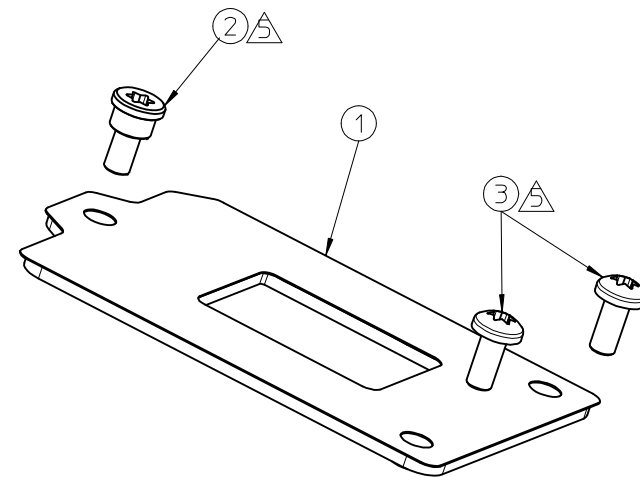
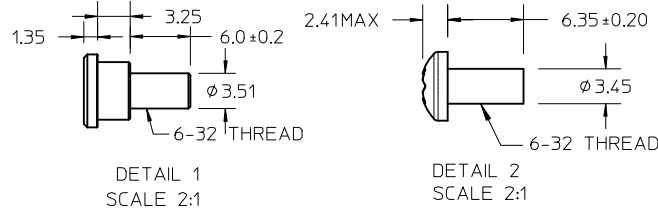
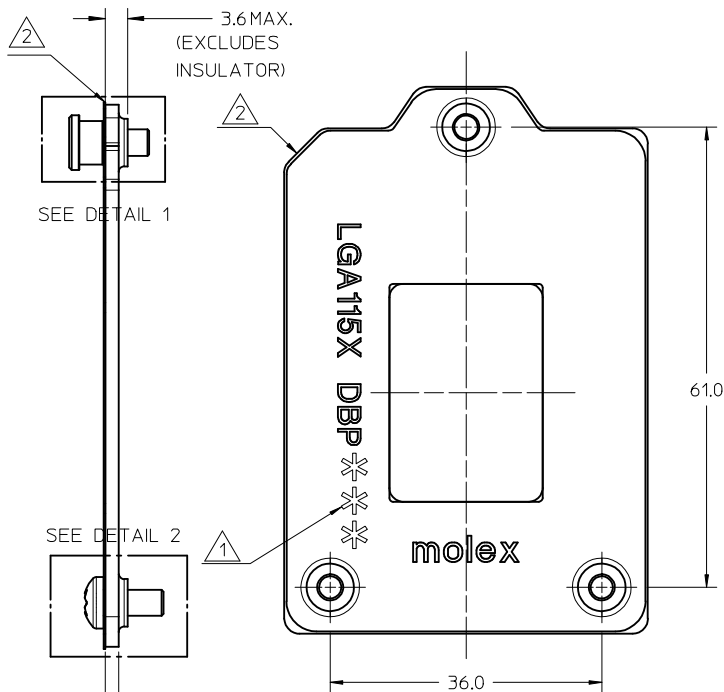
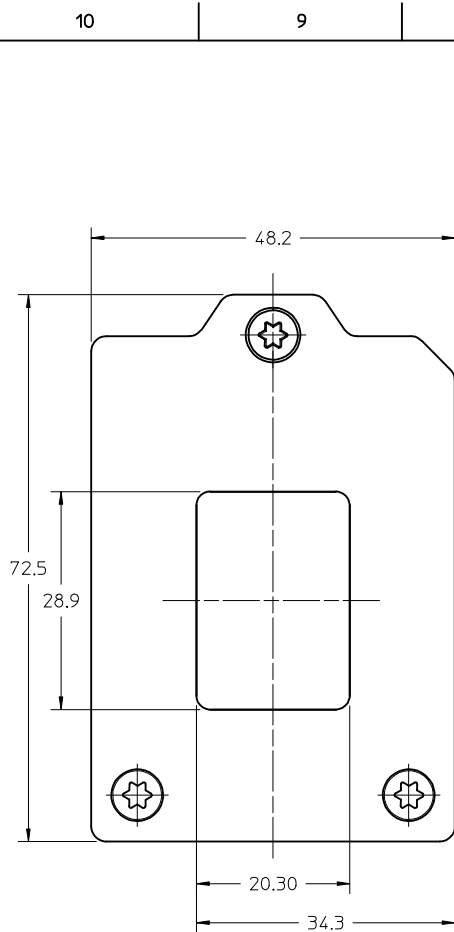
Need more information on product environmental compliance?

Email productcompliance@molex.com
 For a multiple part number RoHS Certificate of Compliance, [click here](#)

Please visit the [Contact Us](#) section for any non-product compliance questions.

Search Parts in this Series
[47596Series](#)

Mates With
 Intel* Nehalem Processor



47596-8830	WITH HALOGEN FREE
47596-9930	WITHOUT HALOGEN FREE
PART NO.	DESCRIPTION

- NOTES:
- DATE CODE
 - *** WORKING DAY
 - WORKING MONTH
 - WORKING YEAR
 - INSULATOR OVERHANGS ALL EXTERNAL EDGES.
 - 6-32 UNC MIN 3MM THREAD DEPTH
 - PART IS COMPLIANT TO RoHS DIRECTIVE 2002/95/EC AND ELV 2000/53/EC.
 - SCREWS ARE PACKAGED INTO PLASTIC BAG AND SHIPPED WITH BACKPLATE.

PARTS LIST			
ITEM NO	QTY	DESCRIPTION	MATERIAL
	1	TOP ASSY W/SCREWS(47596-***30)	
①	1	SOCKET BACK PLATE ASSY (47596-***13)	BACK PLATE(STEEL WITH NICKEL PLATING) INSULATOR(POLYPROPYLENE SHEET)
②	1	SHOULDER SCREW 6-32(475976001)	LOW CARBON STEEL WITH NICKEL PLATING
③	2	PANHEAD SCREW 6-32(475976002)	LOW CARBON STEEL WITH NICKEL PLATING

ENTER DESCRIPTION EC NO: SH2010-0085 DRWN: ZHANG11 2009/09/25 CHKD: 2009/09/25 APPR: WFDENG 2009/10/12	QUALITY SYMBOLS $F_{\Delta} = 0$ $F_{\Delta} = 0$ $F_{\Delta} = 0$	GENERAL TOLERANCES (UNLESS SPECIFIED)		DIMENSION STYLE	SCALE	DESIGN UNITS	THIRD ANGLE PROJECTION	
				MM ONLY	1.5:1	METRIC		
				DRAWN BY	DATE	TITLE		
				CHECKED BY	DATE	SOCKET 115X BACKPLATE ASSEMBLY WITH SCREWS		
		APPROVED BY		DATE	MOLEX MOLEX INCORPORATED			
		MATERIAL NO.		DOCUMENT NO.	SHEET NO.			
		SEE TABLE		SD-47596-107		1 OF 1		
		DRAFT WHERE APPLICABLE MUST REMAIN WITHIN DIMENSIONS		THIS DRAWING CONTAINS INFORMATION THAT IS PROPRIETARY TO MOLEX INCORPORATED AND SHOULD NOT BE USED WITHOUT WRITTEN PERMISSION				